

PLAFO 500 FL



Free-standing luminaire with direct lighting and UGR<19 diffusor. Top quality SMD LED module with colour consistency MacAdams ≤ 3 , extensive portfolio of lumen ranges, CCTs and spectra. Variety of drivers: standard EVG on/off, DALI and wireless controlled as MasterConnect or Casambi on request. Optional built-in occupancy & daylight sensor to allow significant energy savings and wireless connectivity. Body is made of aluminium and steel. Standard colour RAL 9005S, any other colour from basic RAL range available at no extra cost. Variety of diffusors, lumen outputs and drivers allows to use this luminaire in different types of lighting projects. Power cable with country-specific plug on request.

Luminous flux & Luminaire Power tolerance up to 10%. System power consumption depends on components used. Luminous efficacy depends on type of LED's, electronics, optics and diffusor. The most up to date technical parameters can be found on our website and in database of LDT files.

Lighting direction



PDF datasheet:



PLAFO 500 FL

Mounting:	Freestanding luminaire
Body material:	Steel and aluminium
Colour:	Standard black RAL 9005S, other RAL colours on request
Lumen output:	Standard up to 5500 lm, any other on request
LED module:	Signify (Philips), Tridonic or equivalent SMD LED modules
Colour temperature:	3000/4000K/2700-6500K TunableWhite, other on request
Colour Rendering:	CRI>80 in standard, other on request
Driver:	EVG on-off/DALI/TW DT8/MC (MasterConnect), other on request
Wireless control:	Philips MasterConnect / Tridonic / Helvar / Casambi, other on request
Daylight/Occupancy sensor:	XC sensor, other on request
Emergency unit:	N/A
Operating temperature range:	0°C ... +35°C
IP Class:	IP20 in standard
Power:	220-240V 50/60Hz
Lighting direction:	Direct lighting
Light distribution:	Symmetric
Optics:	N/A
Beam angle:	All types available in our LDT file database
Diffuser:	OP opal acrylic / MP19H microprismatic UGR<19
Warranty:	5 Years standard warranty

PLAFO 500 FL floor luminaire / light down



Energy saving MasterConnect wireless lighting control system with daylight and movement detection technology on request.



Zigbee

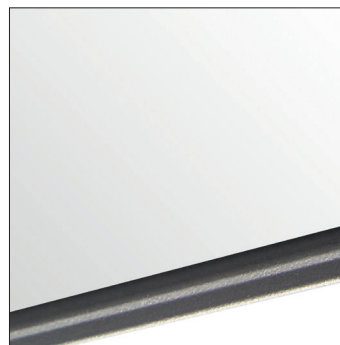


Bluetooth

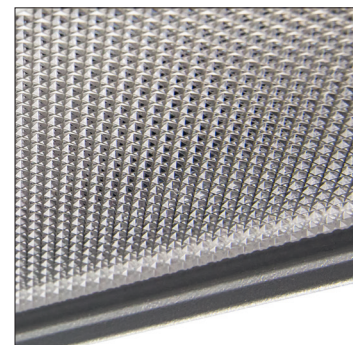
All current index numbers, lumen outputs, power consumption and many other technical information are available in our 2024 pricelist. Details on wireless lighting control systems on page number 896.



XC daylight&occ sensor



OP opal diffuser



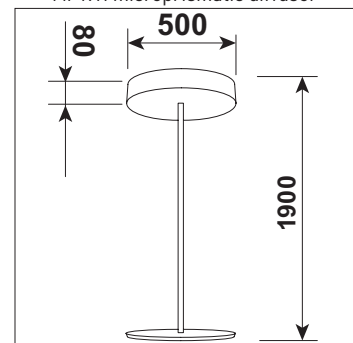
MP19H microprismatic diffuser



MCS wireless daylight&occ sensor



XCS wireless switch



Basic dimensions